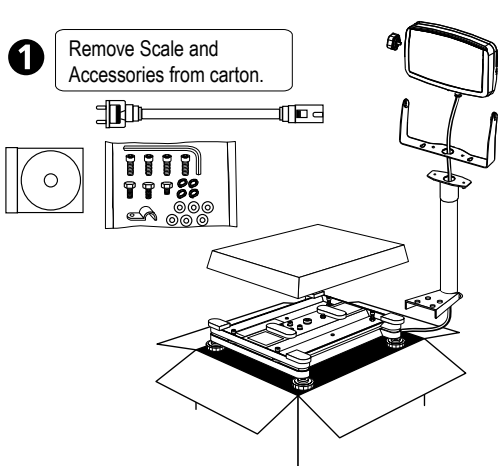
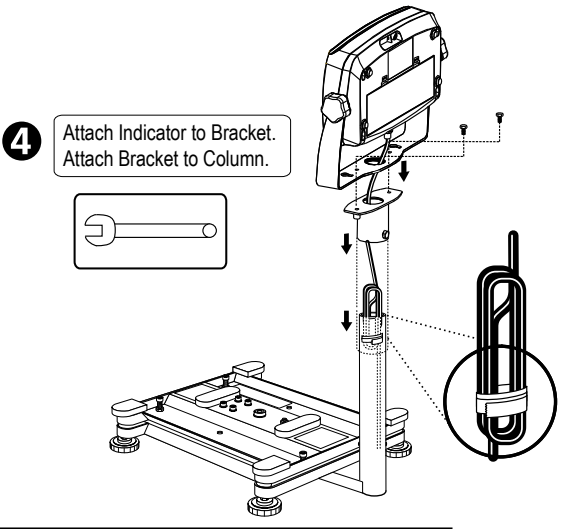



## ASSEMBLY

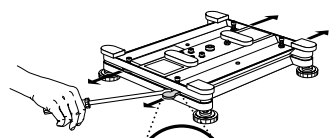
**1** Remove Scale and Accessories from carton.




**4** Attach Indicator to Bracket. Attach Bracket to Column.



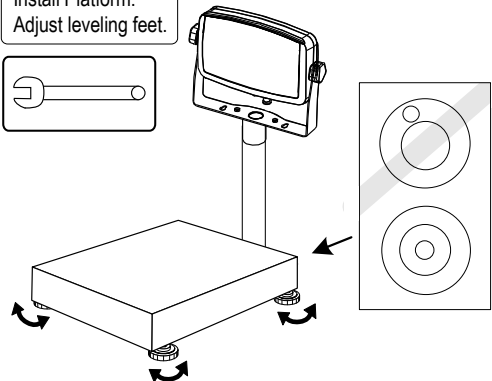
**2**  Remove Shipping Spacers.\*\*



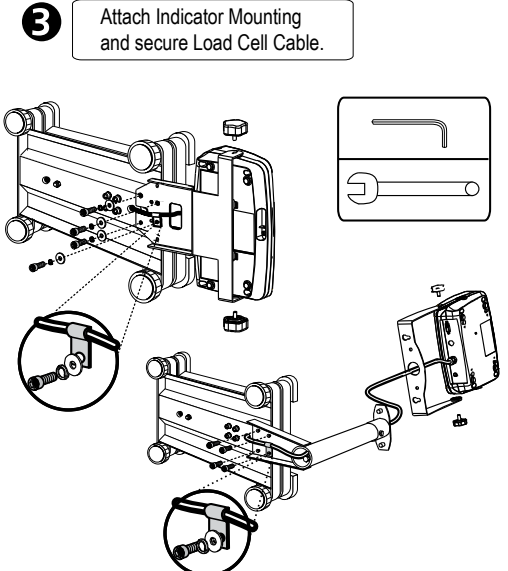
\*\*Not included with some models.



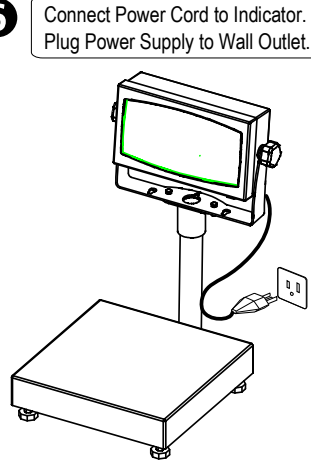
**5** Install Platform. Adjust leveling feet.

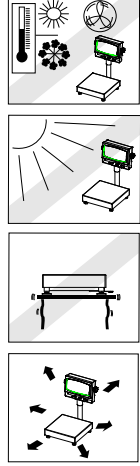


**3** Attach Indicator Mounting and secure Load Cell Cable.



**6** Connect Power Cord to Indicator. Plug Power Supply to Wall Outlet.





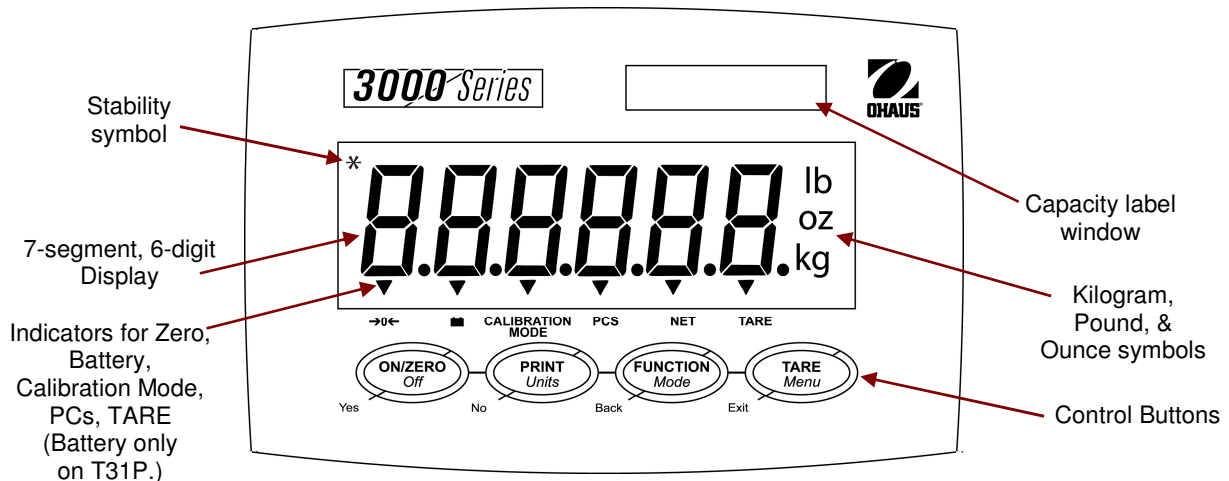
The T31XW is supplied with a grounded power cable. Use only with a compatible grounded power outlet.





## SAFETY PRECAUTIONS



For safe and dependable operation of this product, please comply with the following safety precautions:

- Verify that the input voltage printed on the power Adapter and the plug type matches the local power supply.
- Make sure that the power cord does not pose an obstacle or tripping hazard.
- Disconnect the product from the power supply when cleaning.
- Do not operate this product in hazardous or unstable environments.
- Do not drop loads on the pan.
- Use only approved accessories and peripherals, as available.
- Operate the product only under ambient conditions specified in the Instruction Manual.
- Service should be performed by authorized personnel only.



Button				
<b>Primary Function</b> (Short Press)	<b>ON/ZERO</b> Turns Indicator on. If indicator is on, sets zero.	<b>PRINT</b> Sends the current value to the COM port if AUTOPRINT is set to Off.	<b>FUNCTION</b> Initiates an application mode.	<b>TARE</b> Performs a tare operation.
<b>Secondary Function</b> (Long Press)	<b>Off</b> Turns Indicator off.	<b>Units</b> Changes the weighing unit.	<b>Mode</b> Allows changing the application mode. Press and hold allows scrolling through modes.	<b>Menu</b> Enter the User menu.
<b>Menu Function</b> (Short Press)	<b>Yes</b> Accepts the current setting on the display.	<b>No</b> Advances to next item. Rejects current setting, advances to next available setting. Increments the value.	<b>Back</b> Moves back to previous menu item. Decrements the value.	<b>Exit</b> Exits the User menu. Aborts a calibration in progress.

## OPERATION

To turn the Indicator on, press and hold **ON** for two seconds. The Indicator performs a display test, momentarily displays the software version, and then enters the active weighing mode.



To turn Indicator off, press and hold **Off** until **OFF** appears.

**Zero** is set under the following conditions:

- Automatically at Power On (initial zero).
- Manually: press **ZERO**. (Scale must be stable and within the zero range.)



**Manual Tare:** When weighing an item that must be held in a container, taring stores the container weight in memory. Place the empty container on the scale (example 0.5 kg) and press the **TARE** button.



The display will show the net weight.

To clear the Tare value, empty the scale and press **TARE**. The display shows gross weight (zero if scale is empty).

**Weighing:** Place the item to be weighed on the scale. (Sample shown: 1.5 kg, Gross weight.)



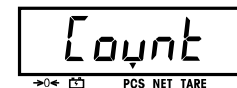
**Note:** To return to the Weighing mode from Parts Counting mode, press and hold **Mode** until **WEIGH** appears.



**Verify the indicator:** place a known mass on the scale and check if the reading is accurate. If not, calibrate, using the Calibration Guide.

## ADDITIONAL OPERATIONS

**Parts Counting:** Use this mode to count parts of uniform weight. The Indicator determines the quantity based on the average weight of a single part. All parts must be uniform in weight for accurate measurements.



To enter this mode, press and hold **Mode** until **Count** appears.

**Note:** Count must first be enabled in the **Mode** menu. (See back page.)

**Average Piece Weight (APW):** When **Mode** is released, **CLr.PW** appears. Press **Yes** to clear the stored APW. Press **No** to recall the existing APW. **APW** appears. Press **Mode** to display the APW value.



(If no APW was previously stored, **CLr.PW** is skipped; **PUt10Pcs** appears.)

Place 10 pieces on the scale, or press **No** to increment the sample size. Choices are 5, 10, 20, 50, 100 and 200.



Place the parts on the scale and read the count.

(If using a container, be sure to tare the empty container first.)

**Changing Units of Measure:** Press and hold **Units** until the desired measuring unit appears. Only units enabled in the Unit Menu are displayed. (See back page.)



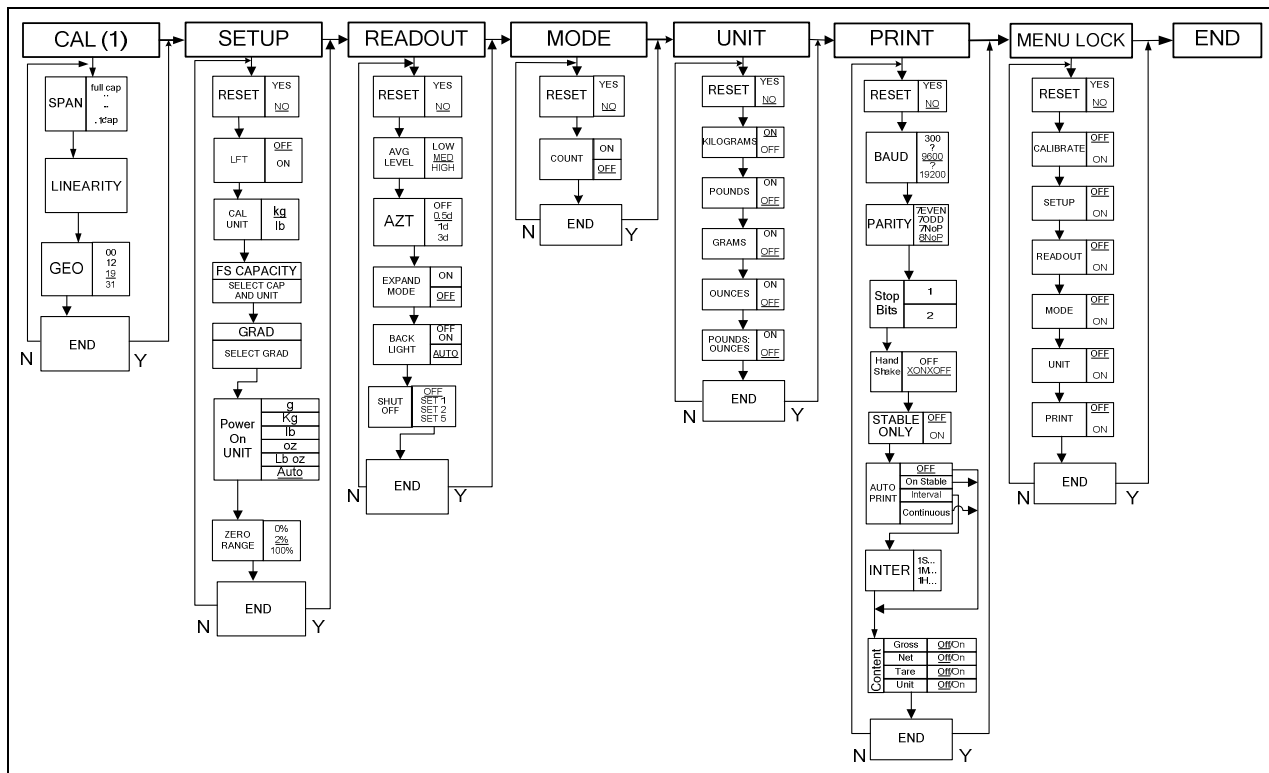
## MENU NAVIGATION

Press and hold **Menu** until MENU appears.

Use **Yes**, **No**, **Back**, and **Exit** to navigate:

- **Yes** Allows entry into the displayed menu.  
Accepts the displayed setting and advances to the next menu item.
- **No** Skips by the displayed menu.  
Rejects the displayed setting or menu item and advances to the next available item.
- **Back** Moves backwards through the upper and middle level menus.  
Backs out of a list of selectable items to the previous middle level menu.
- **Exit** Exits from menu directly to the active weighing mode.

## MENU SETUP



P/N 80252986